

► **Code Number**

3910239

► **Description**

Exposed Water Closet Flushometer, Replacement Valve Body Only.

► **Flush Cycle**

3.5 gpf/13.2 lpf

► **Specifications**

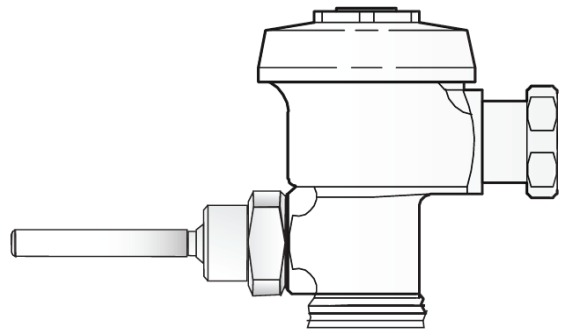
Quiet, Exposed, Diaphragm Type, Chrome Plated Closet Flushometer Replacement Valve Body with the following features:

- PERMEX® Synthetic Rubber Diaphragm with Dual Filtered Fixed Bypass
- Non-Hold-Open Handle, Fixed Metering Bypass and No External Volume Adjustment to Ensure Water Conservation
- Diaphragm and Handle Packing to be molded from PERMEX® Rubber Compound for Chloramine Resistance
- Adjustable Tailpiece
- High Copper, Low Zinc Brass Castings for Dezincification Resistance
- ADA Compliant Metal Oscillating Non-Hold-Open Handle
- Flush accuracy controlled by CID® technology

Valve Body, Cover, Tailpiece and Control Stop shall be in conformance with ASTM Alloy Classification for Semi-Red Brass. Valve shall be in compliance with the applicable sections of ASSE 1037 and ANSI/ASME 112.19.2.

► **NOTE:**

Valve Body Only. Does not include complete flushometer valve.



► **Compliance & Certifications**



**Made In The
USA**

This space for Architect/Engineer Approval